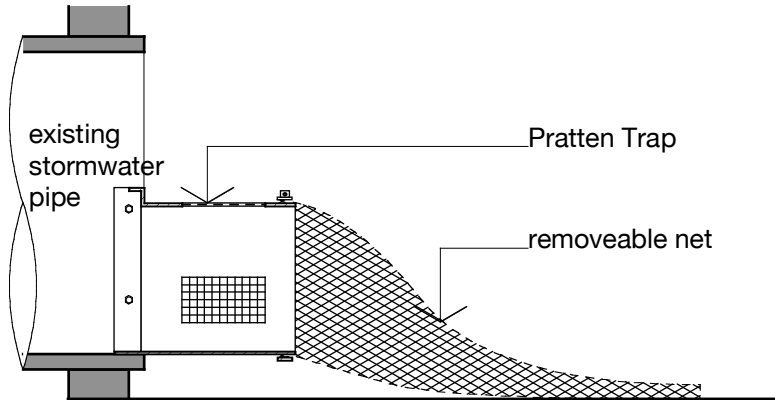


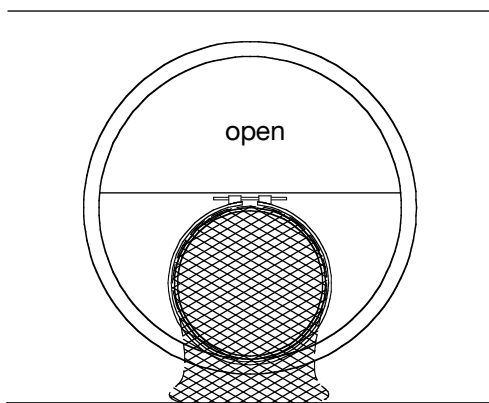
# A02 Half Pipe Trap\* suitable for pipe $\varnothing$ 450-1500mm

not to scale

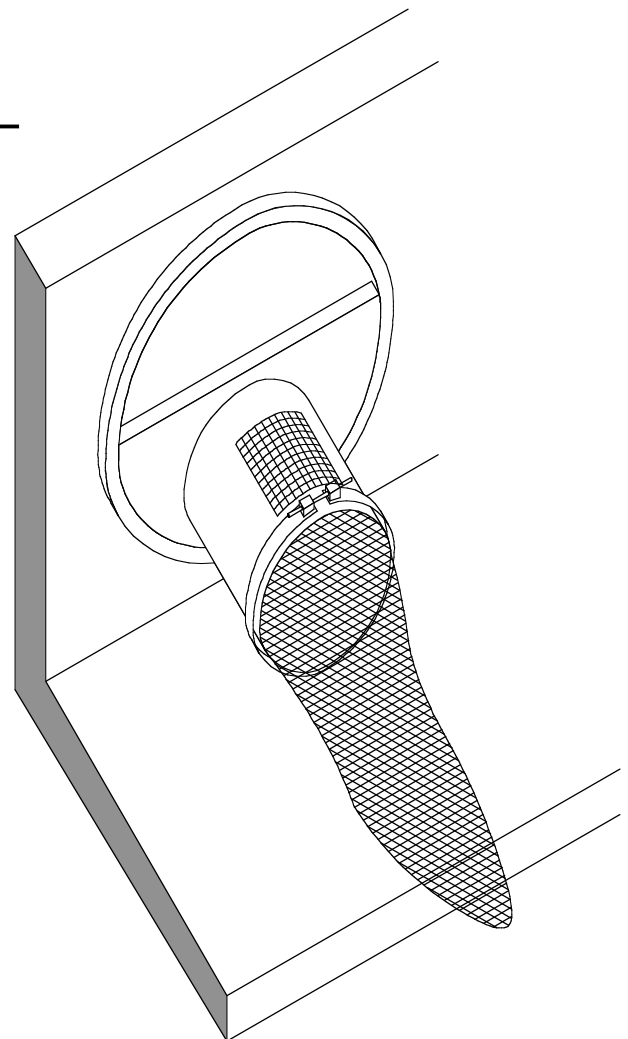
\*licensed under patent #729111



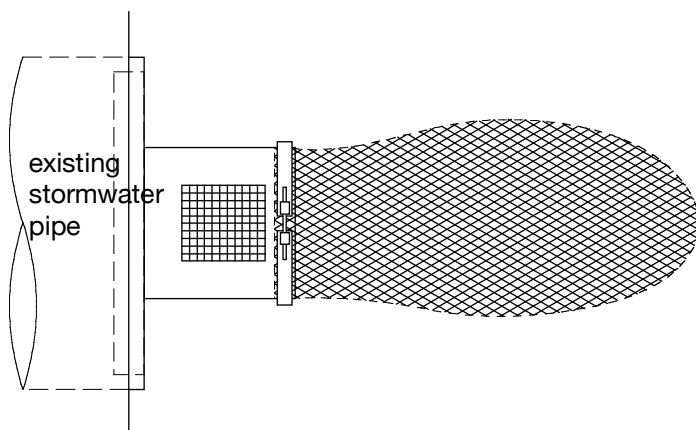
Typical Section



Typical Elevation



Axonometric View



Typical Plan