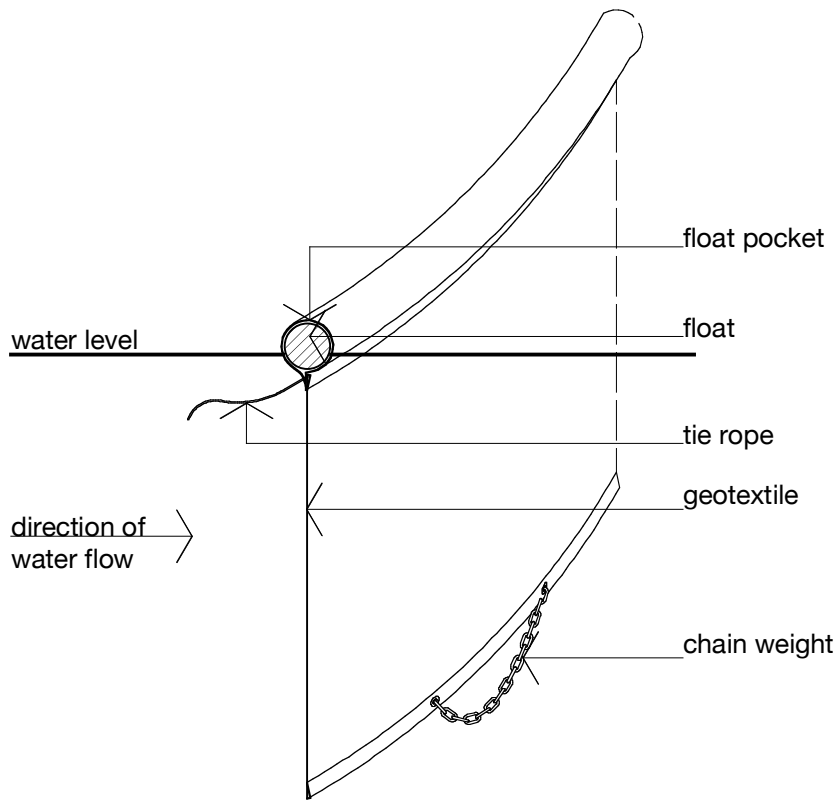
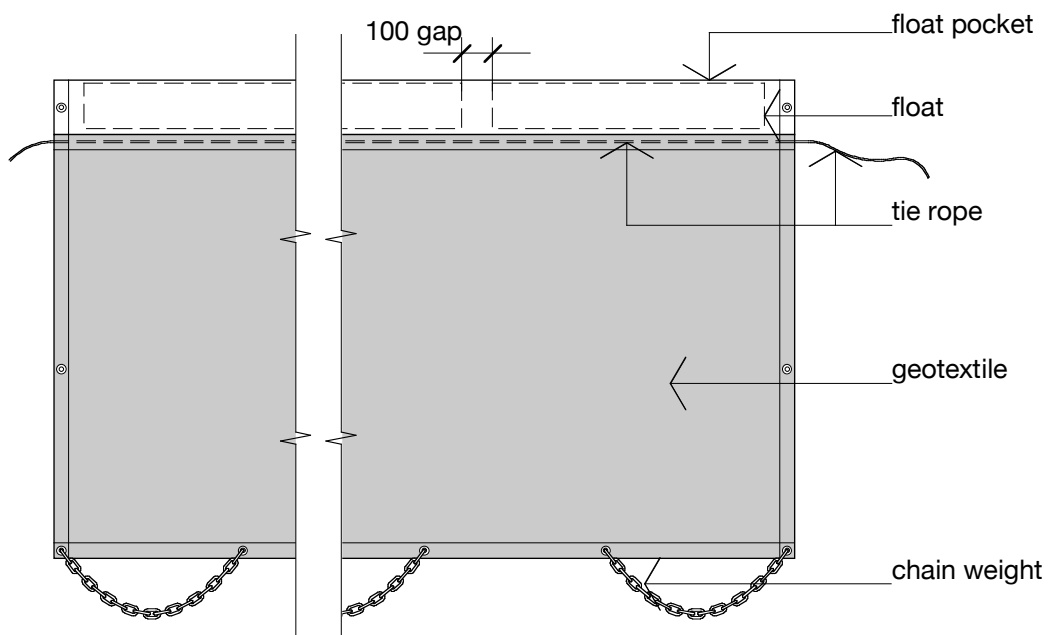


B02 Silt Boom

not to scale



Axonometric Section



Typical Elevation